



# Installation instructions, accessories

Volvo Car Corporation Gothenburg, Sweden

Instruction No	Version	Part. No.
31373811	1.1	31373806, 31428584, 31428804, 31408921

## Parking assistance, camera, rear

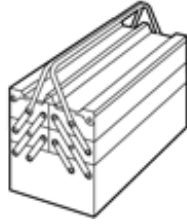


# Installation instructions, accessories

Volvo Car Corporation Gothenburg, Sweden

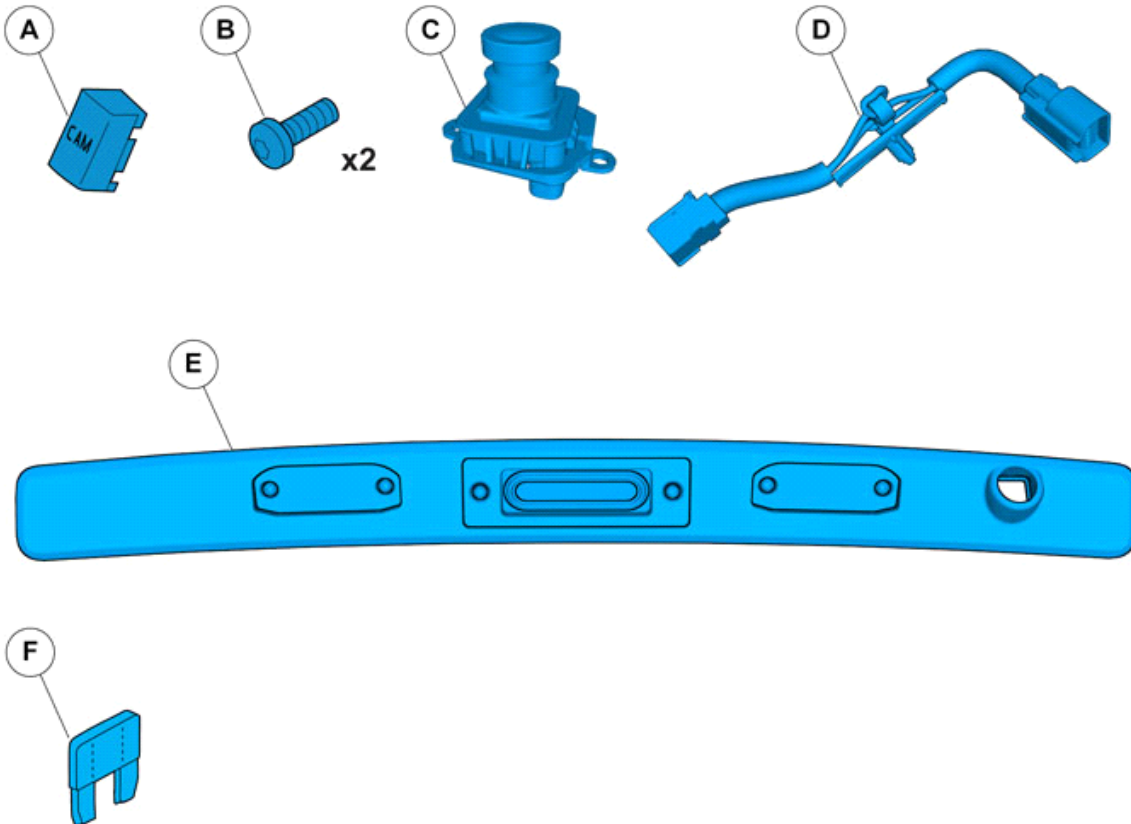
## Equipment

# VIDA



IMG-242205

IMG-345497



IMG-381110



# Installation instructions, accessories

Volvo Car Corporation Gothenburg, Sweden

---

## Information

1

Read through all of the instructions before starting installation.

Notifications and warning texts are for your safety and to minimise the risk of something breaking during installation.

Ensure that all tools stated in the instructions are available before starting installation.

Certain steps in the instructions are only presented in the form of images. Explanatory text is also given for more complicated steps.

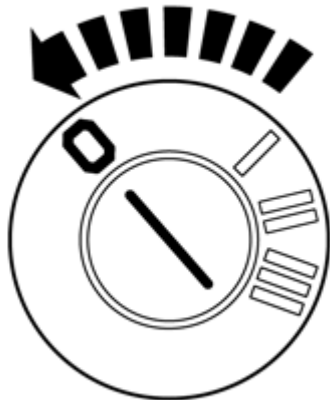
In the event of any problems with the instructions or the accessory, contact your local Volvo dealer.

---

## Removal

2

Set the ignition key to position 0.



IMG-332193



# Installation instructions, accessories

Volvo Car Corporation Gothenburg, Sweden

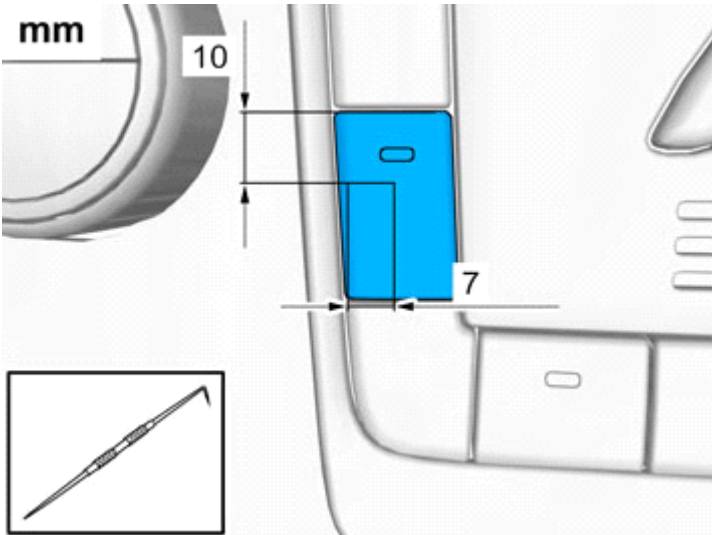
3



IMG-381115

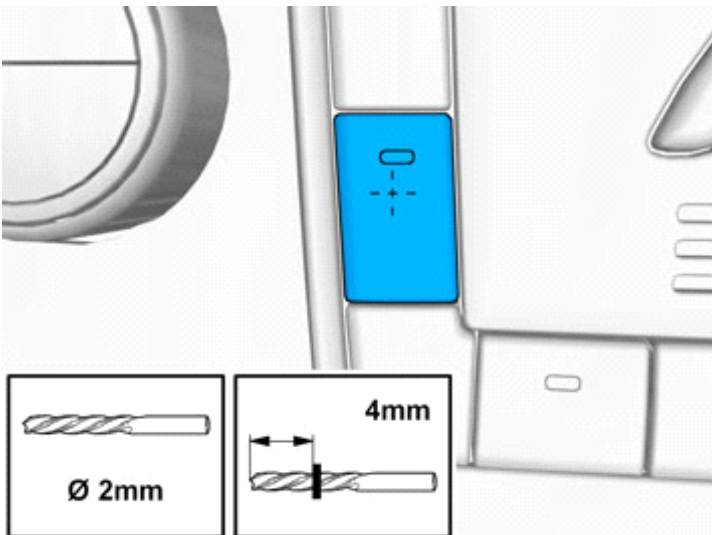
**Note!**  
Orientation view

4



IMG-381005

5



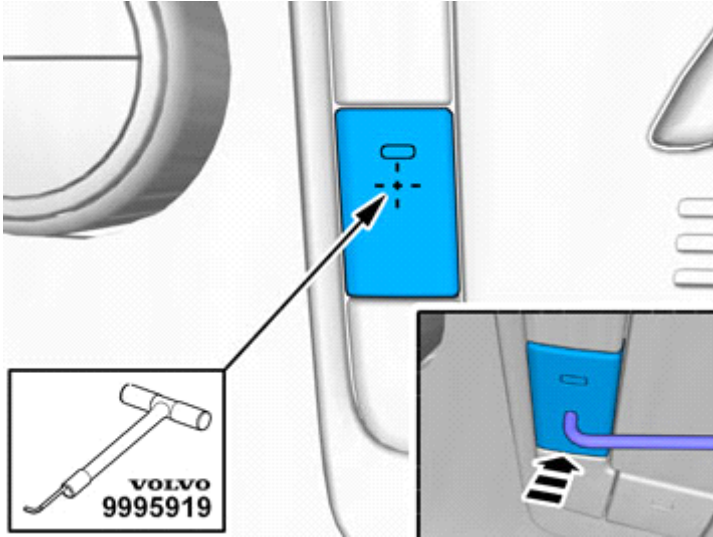
IMG-381006



# Installation instructions, accessories

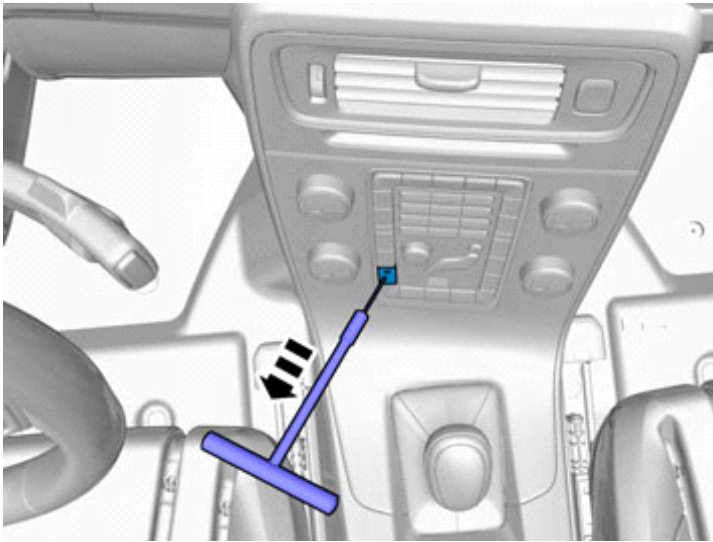
Volvo Car Corporation Gothenburg, Sweden

6



IMG-381020

7



IMG-380996

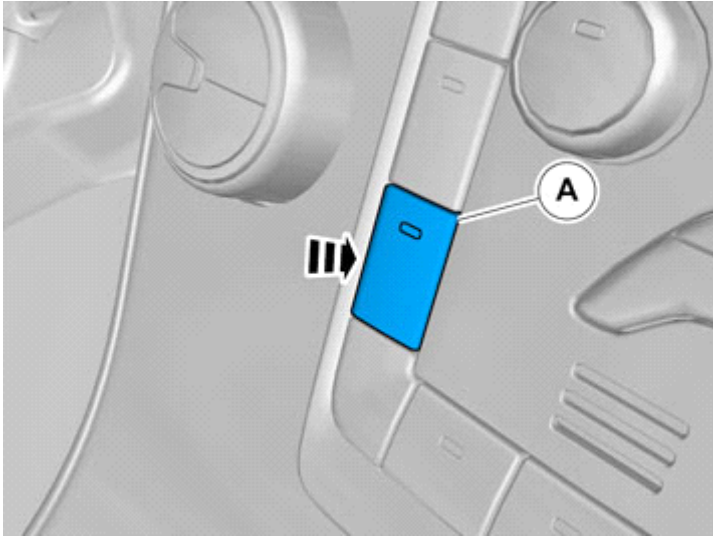
## Accessory installation



# Installation instructions, accessories

Volvo Car Corporation Gothenburg, Sweden

8



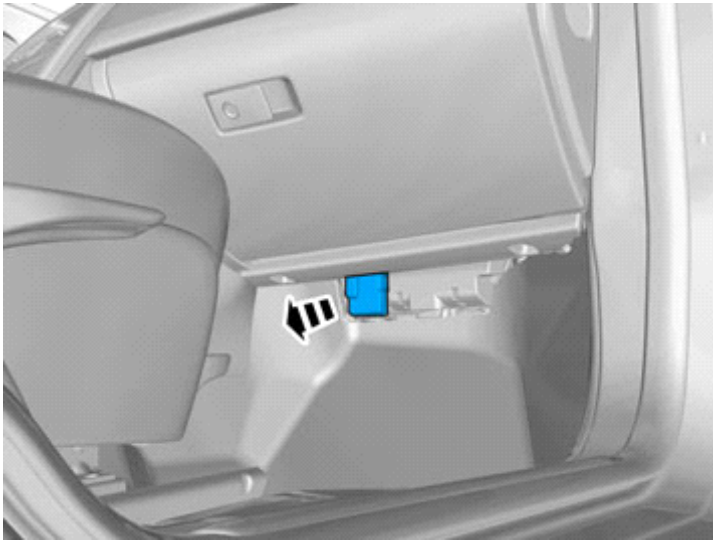
IMG-381003

Install component that comes with the accessory kit.

---

## Removal

9



IMG-381919

---

## Accessory installation

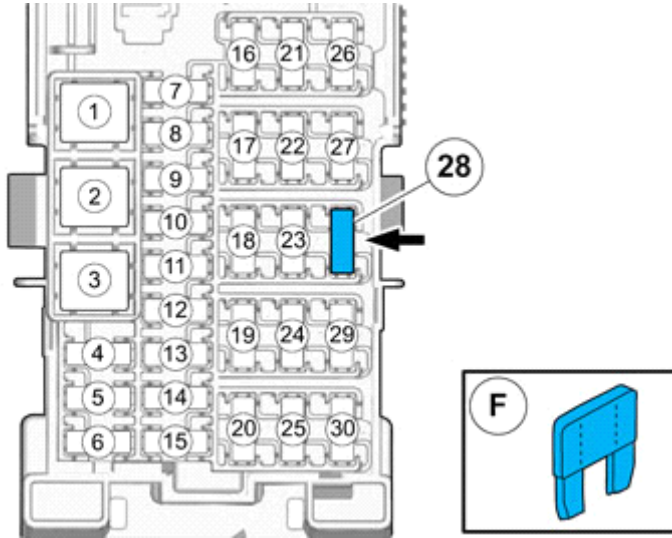
---



# Installation instructions, accessories

Volvo Car Corporation Gothenburg, Sweden

10



IMG-381921

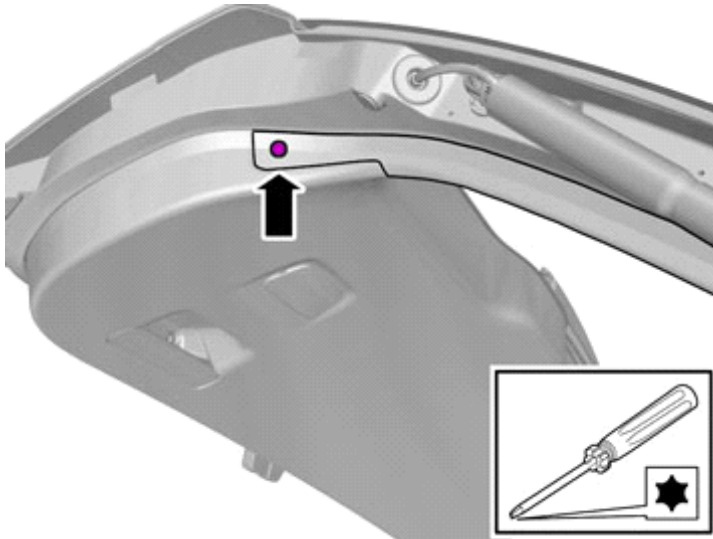
Install component that comes with the accessory kit.

11

Reinstall the removed parts in reverse order.

## Removal

12



IMG-346866

Remove the screw.

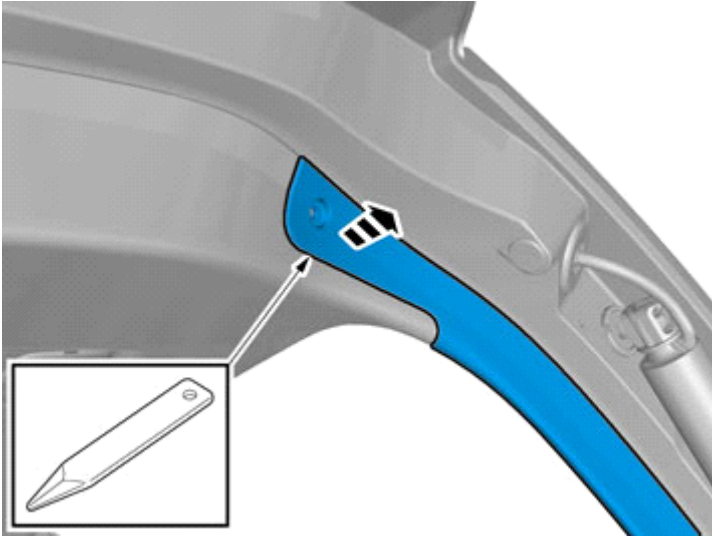
Repeat on the other side.



# Installation instructions, accessories

Volvo Car Corporation Gothenburg, Sweden

13



IMG-346872

Detach the panel.

Repeat on the other side.

14

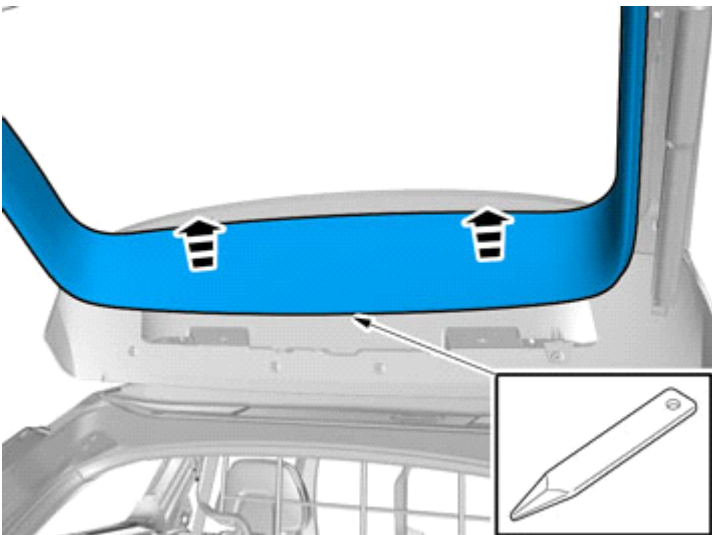


IMG-346876

Detach the panel.

Repeat on the other side.

15



IMG-346882

Detach the panel.

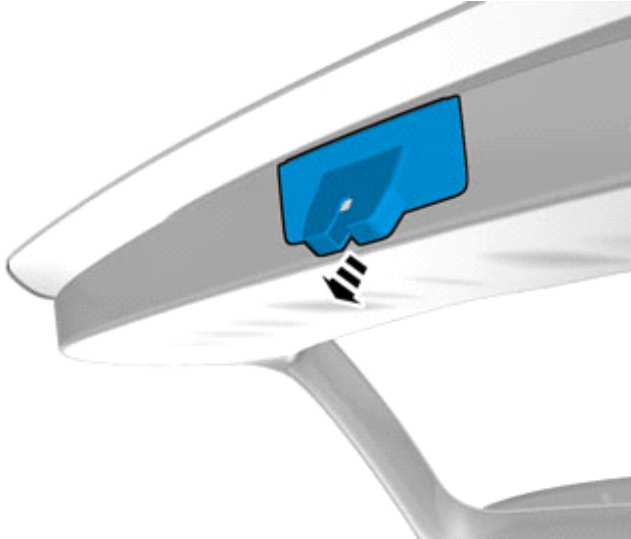




# Installation instructions, accessories

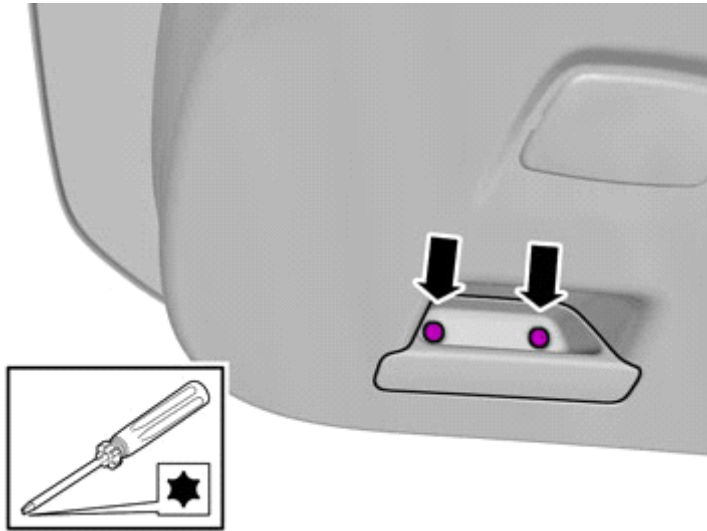
Volvo Car Corporation Gothenburg, Sweden

16



IMG-346886

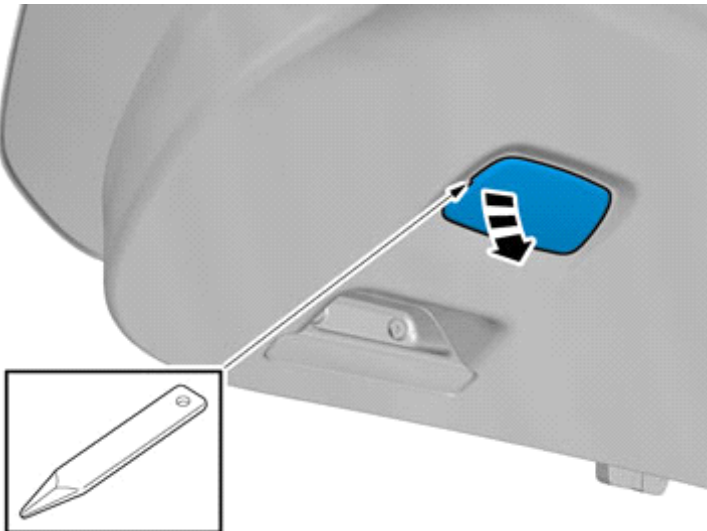
17



Remove the screws.

IMG-346887

18



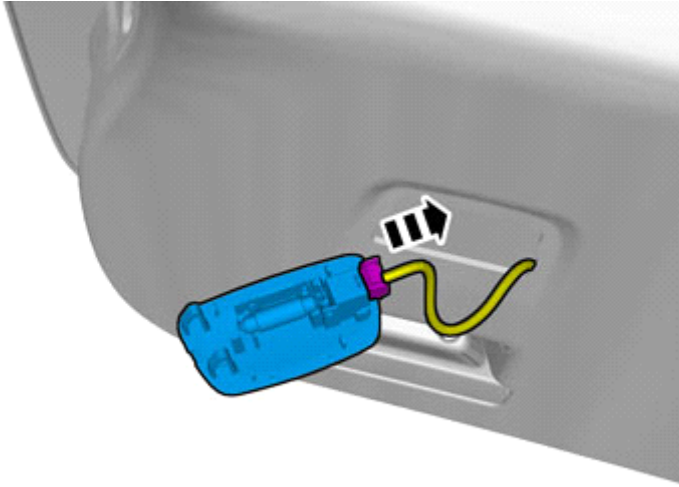
IMG-346891



# Installation instructions, accessories

Volvo Car Corporation Gothenburg, Sweden

19

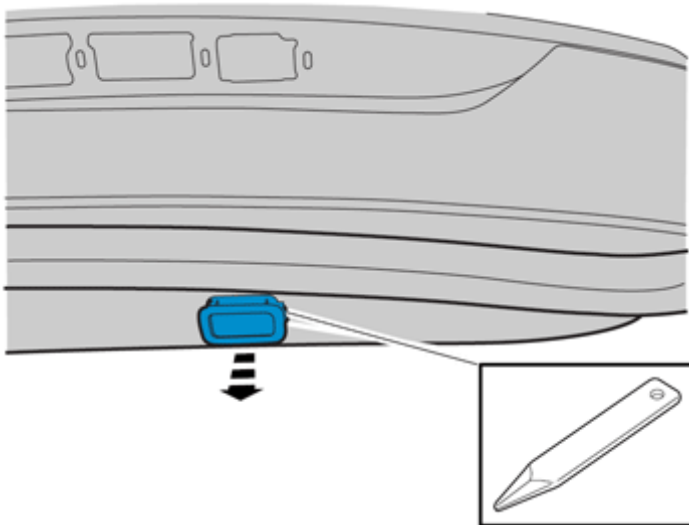


Disconnect the connector.

IMG-346892

## Vehicles with power liftgate

20



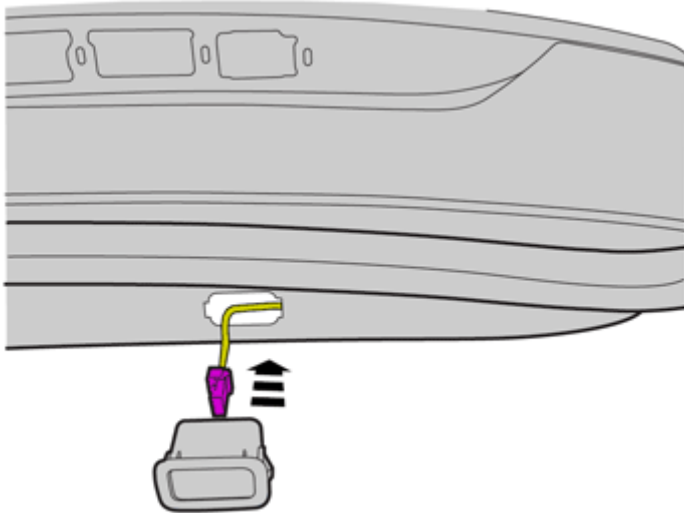
IMG-347056



# Installation instructions, accessories

Volvo Car Corporation Gothenburg, Sweden

21



Disconnect the connector.

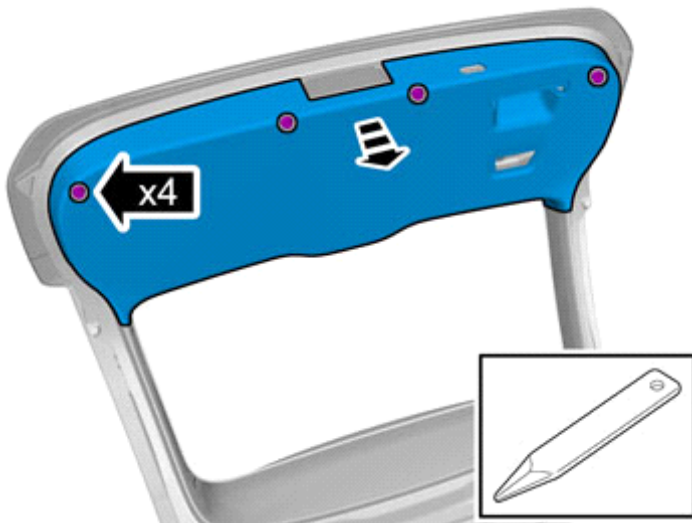
IMG-347057

---

All vehicles

---

22



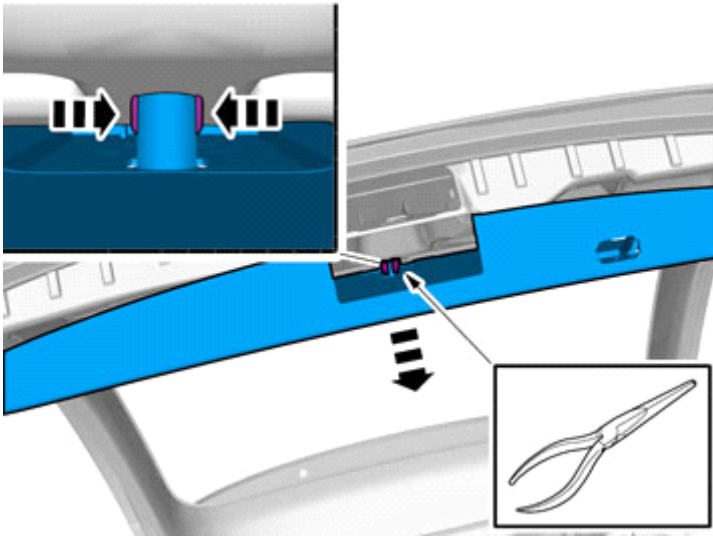
IMG-346916



# Installation instructions, accessories

Volvo Car Corporation Gothenburg, Sweden

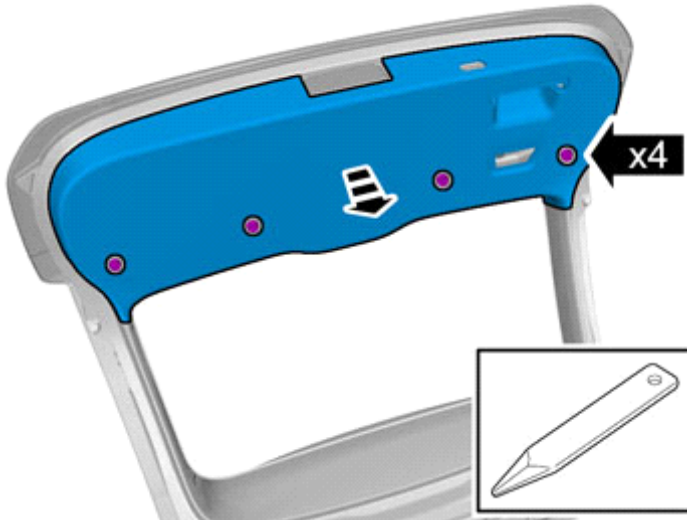
23



Release the lock.

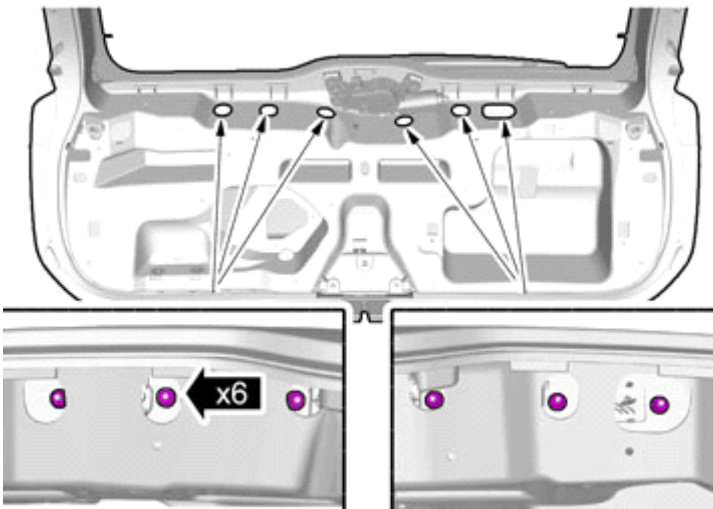
IMG-346917

24



IMG-346918

25



Remove the nuts.

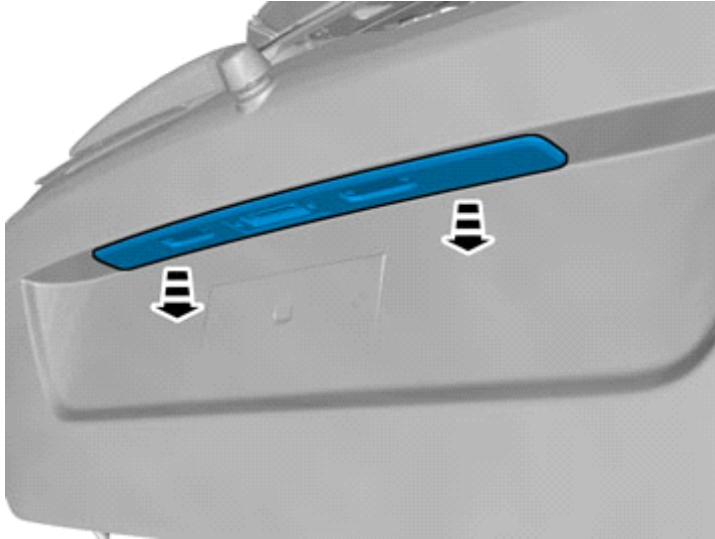
IMG-347071



# Installation instructions, accessories

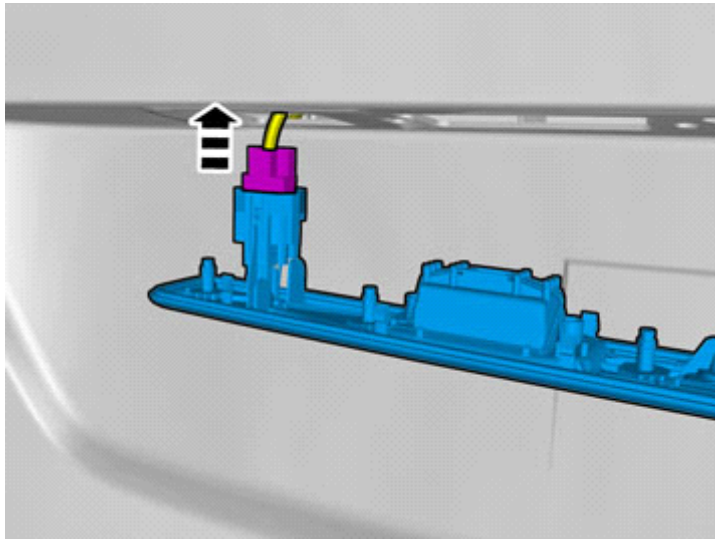
Volvo Car Corporation Gothenburg, Sweden

26



IMG-347096

27



IMG-347097

Disconnect the connector.

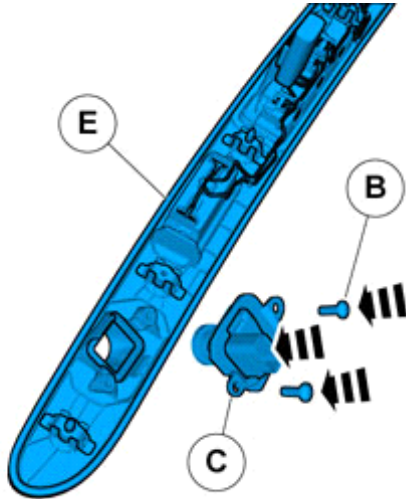
## Accessory installation



# Installation instructions, accessories

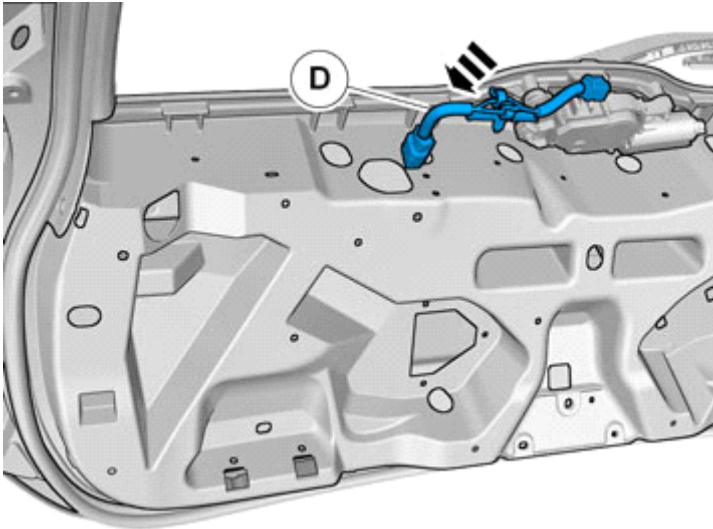
Volvo Car Corporation Gothenburg, Sweden

28



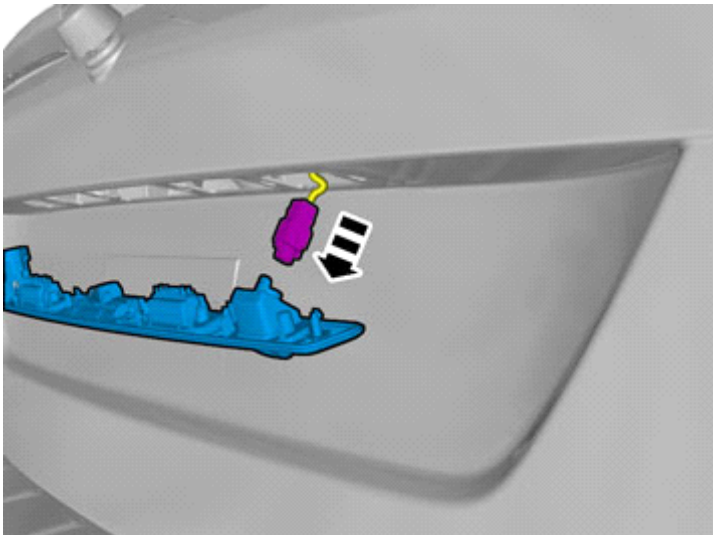
IMG-381116

29



IMG-381127

30



IMG-348197

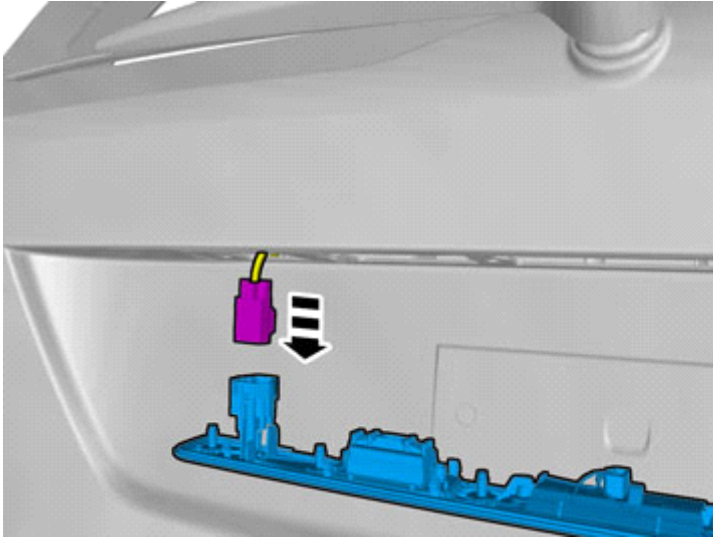
Connect the connector.



# Installation instructions, accessories

Volvo Car Corporation Gothenburg, Sweden

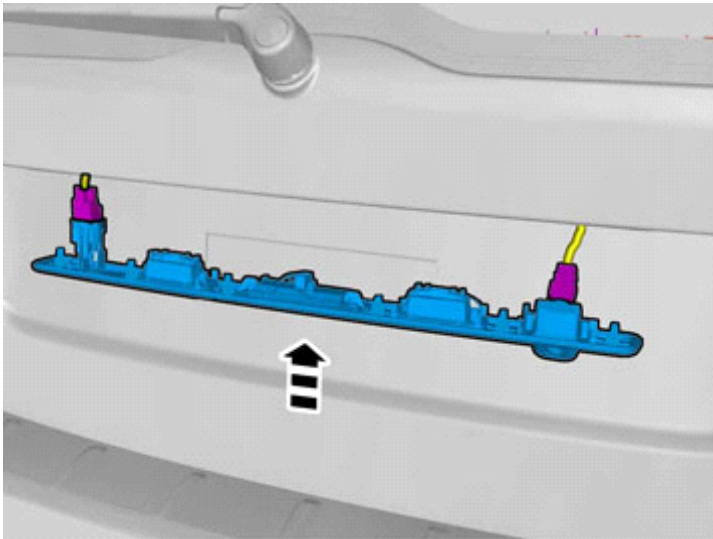
31



IMG-347142

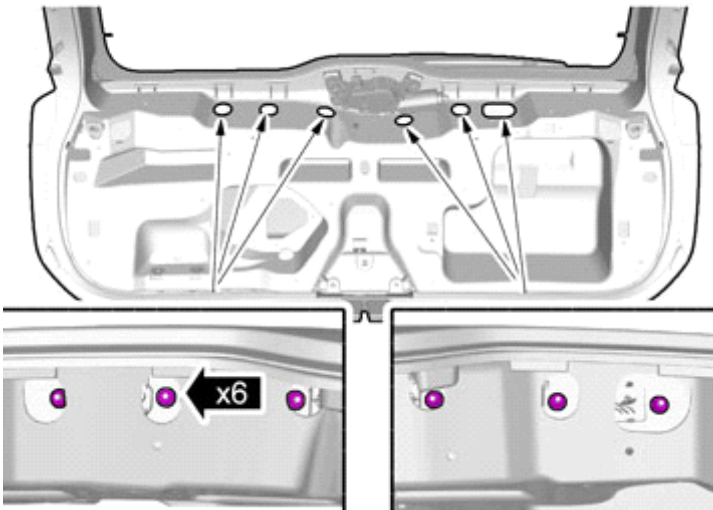
Connect the connector.

32



IMG-348198

33



IMG-347071

Install the nuts

**Tightening torque:** Exterior handle to tailgate/luggage compartment lid , 5 Nm

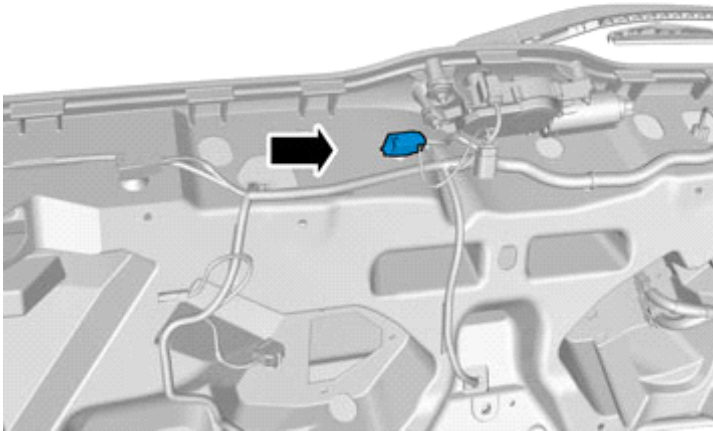


# Installation instructions, accessories

Volvo Car Corporation Gothenburg, Sweden

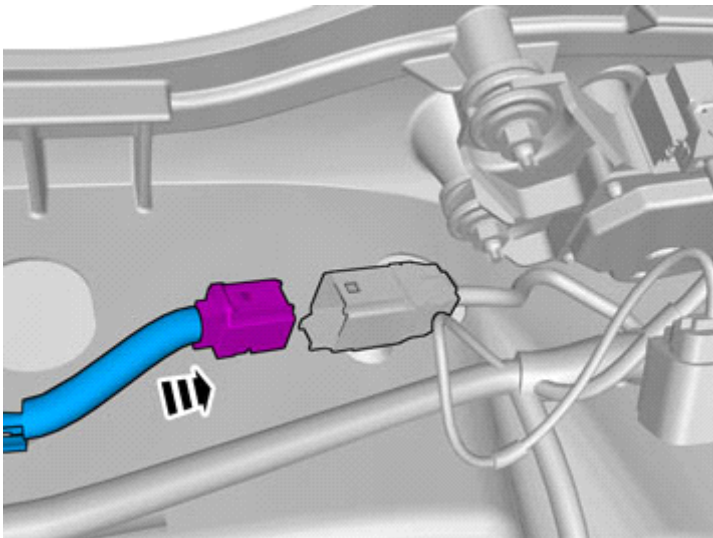
34

Locate the pre-routed connector.



IMG-381131

35



IMG-381132

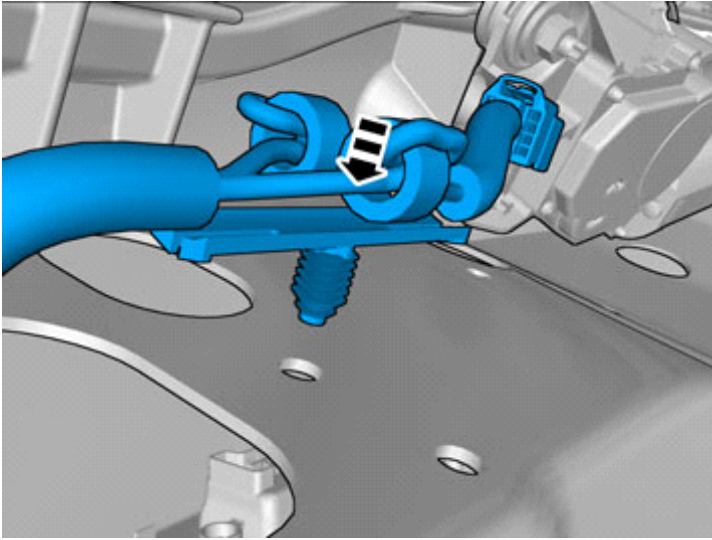




# Installation instructions, accessories

Volvo Car Corporation Gothenburg, Sweden

36



IMG-381130

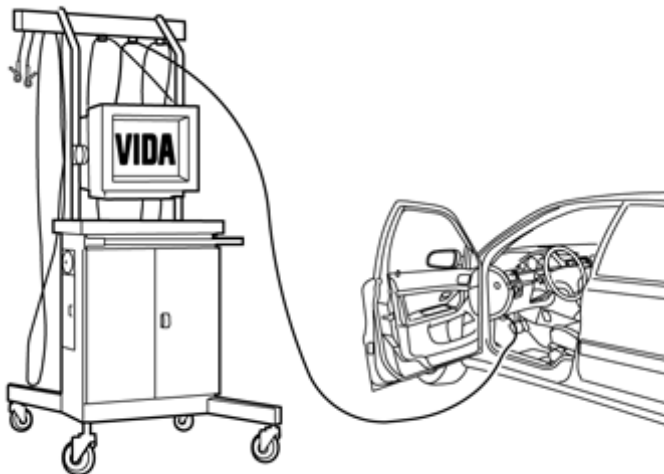
Fasten the wiring harness using the existing clips.

37

Reinstall the removed parts in reverse order.

IMG-377070

38



IMG-242268

Download software (application) for the accessory's function according to the service information in VIDA. See VIDA or the accessories catalogue for software part number.



# Installation instructions, accessories

Volvo Car Corporation Gothenburg, Sweden

---

39

Calibrate according to: DIAGNOSTICS/VEHICLE  
COMMUNICATION/Advanced/PAC/Service calibration, parking  
camera

---